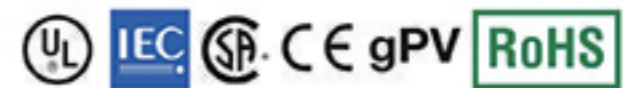


SPF SERIES SOLAR FUSES

1000 Vdc • 1-30 A



Description

The SPF Solar Protection Fuse series has been specifically designed for the protection of photovoltaic (PV) systems. This family of Midget style fuses (10 x 38 mm) can safely protect PV modules and conductors from reverse-overcurrent conditions.

As PV systems have grown in size, so have the corresponding voltage requirements. This increase in system voltage has typically been intended to minimize power loss associated with long conductor runs. Standard circuit protection devices are not designed to completely protect photovoltaic panels. However, the SPF series is UL Listed to safely interrupt faulted circuits up to this demanding voltage level.

Littelfuse offers 14 ampere ratings to match specific requirements in a variety of applications.

Features/Benefits

- Meets UL and IEC photovoltaic standards
- UL 248-19 Listed 1000 Vdc maximum
- 1-30 A ratings available
- 20,000 A Interrupting Rating - 1A - 20A
- 50,000 A Interrupting Rating - 25A - 30A
- Both PCB mount and dead-front holder options available

Applications

- Inverters
- Combiner boxes
- Battery charge controllers

Recommended Fuse Holders

LPHV 1000 Vdc POWR-Safe Series

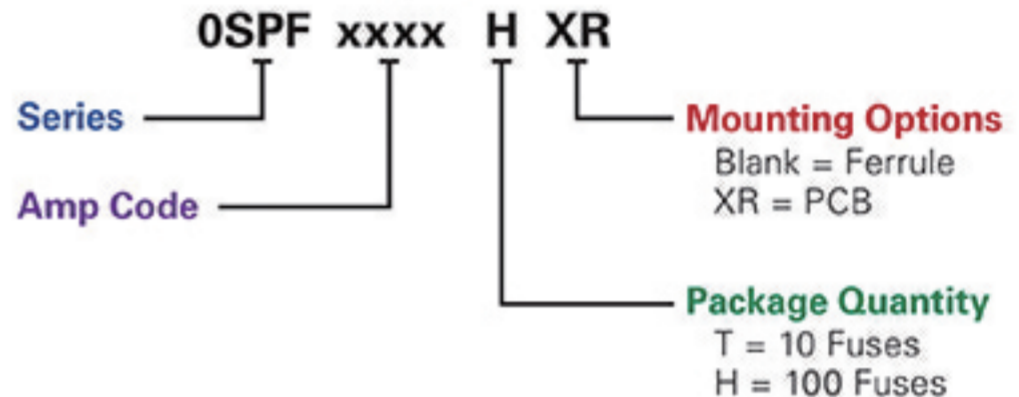
Web Resources

Download technical documents: littelfuse.com/spf

Specifications

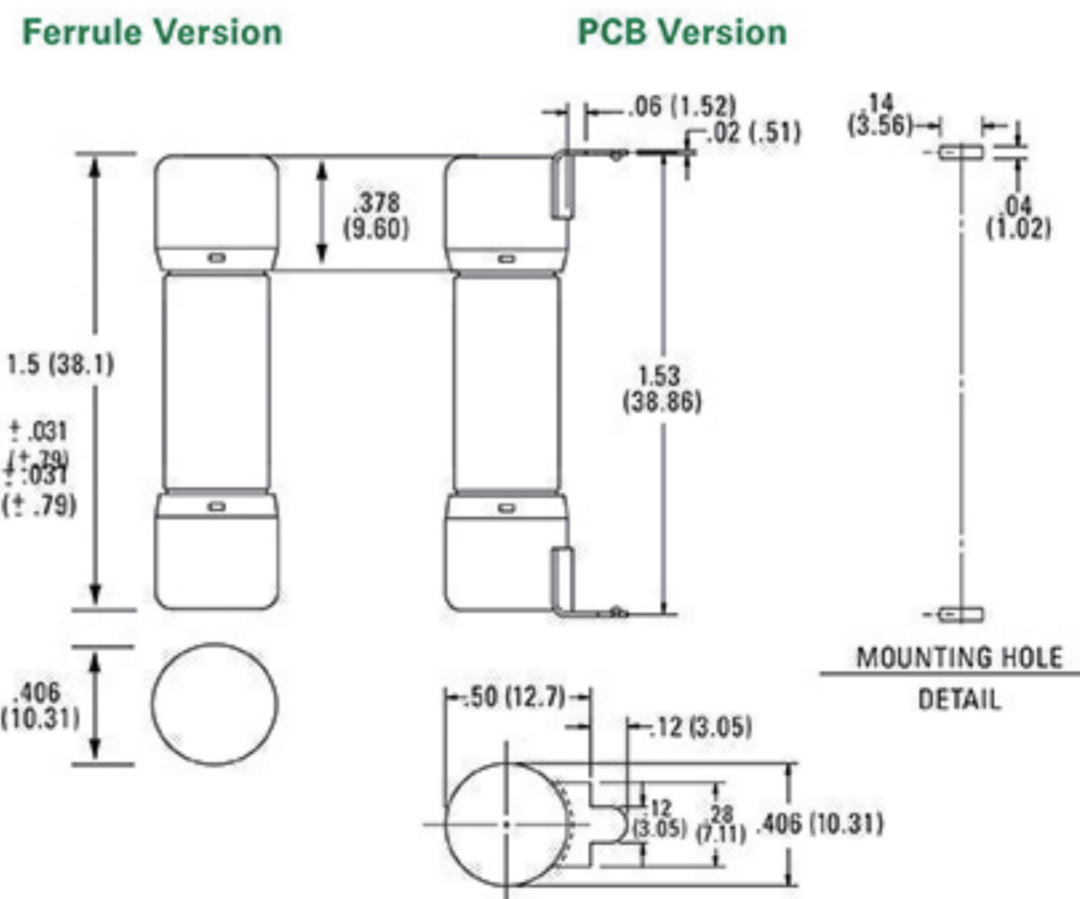
| | |
|---------------------------------|--|
| Voltage Rating | 1000 VDC |
| Amperage Rating | 1, 2, 3, 3.5, 4, 5, 6, 8, 10, 12, 15, 20, 25, 30 |
| Max. Interrupting Rating | 20 kA - 1A - 20A 50 kA - 25A - 30A |
| Time Constant | ≤ 2ms |
| Material | Body: Melamine Caps: Copper Alloy |
| Approvals | UL 248-19 Listed (File: E339112) IEC 60269-6 (1-30 A) CSA Certified (File: 029862_0_000) |
| Environmental | RoHS Compliant |
| Country of Origin | Mexico |

Part Numbering System



| SERIES | AMP | PACKAGE QUANTITY | MOUNTING METHOD | CATALOG NUMBER | ORDERING NUMBER |
|--------|-----|------------------|-----------------|----------------|-----------------|
| SPF | 2 | 10 | FERRULE | SPF002 | OSPF002.T |
| SPF | 3.5 | 10 | FERRULE | SPF03.5 | OSPF03.5T |
| SPF | 30 | 100 | PCB TABS | SPF030R | OSPF030.HXR |

Dimensions Inches (mm)



Look for this logo to indicate products that are used in solar applications. Visit our website littelfuse.com/solar for the latest updates on approvals, certifications, and new products.